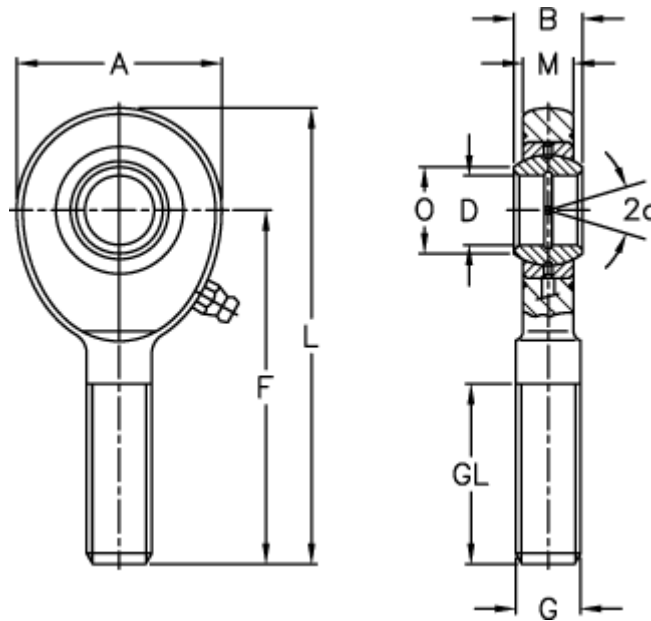


Data Sheet



Article number: 03483050
Description: Fluro Rod end EAL 50-2RS
Note: 50

Measures



A	= 112	L	= 241
a (degrees)	= 6	M	= 30
B	= 35	O	= 56
D	= 50	Static drive kN	= 320
Dynamic drive (kN)	= 156	Weight	= 3450
F	= 185		
g	= M45x3		
GL	= 107		